

Aluminium Manual Gun



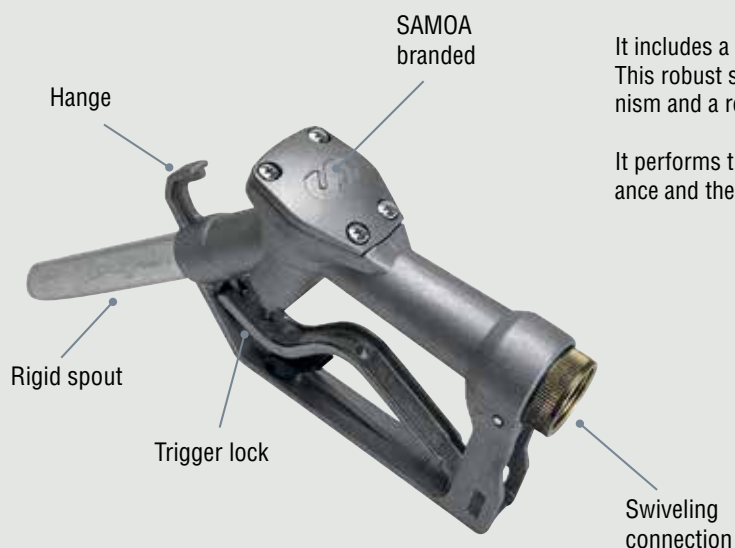
Part. No: 361000

DESCRIPTION

High-quality manual nozzle made in aluminium for fuel supply to vehicles.

It includes a swivel connection at the inlet for easier operation. This robust standard version includes a trigger cut-off mechanism and a reinforced piston.

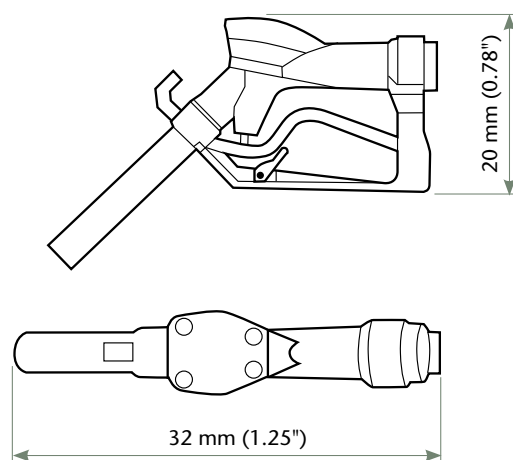
It performs the maximum efficiency thanks to the low-flow resistance and the wide range of application.



TECHNICAL SPECIFICATIONS

Weight	0,67 kg (1.48 lb)
Wetted materials	Viton, Aluminium, Brass
Max. flow rate	100 l/min (26.4 gal/min)
Inlet thread	1" BSP (F)
Temperature range	-20 / +40 °C (-4 / +104 °F)

DIMENSIONS



普朗科(北京)科技有限公司
Plantcare(Beijing)Co.,Ltd. www.plantcare.com

Add: 北京市朝阳区高碑店西店海棠园16楼4-303
Tel: +86 10 85777020

Phone: +86 18611525353
Email: wuhm@plantcare.com.cn

Rev. 1. 05/2022